

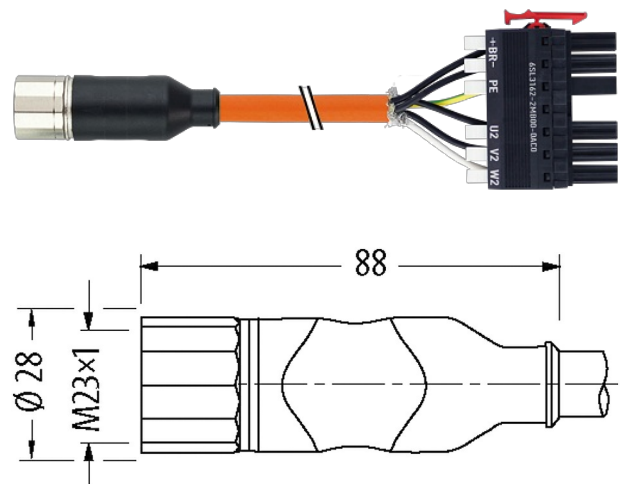
M23 SERVO CABLE

Specification: 6FX5002-5CS16-1BA0

Female straight – pre-wired terminals
 Plastic housings with good resistance against chemicals and oils.
 M23, 6-pole
 4-pole used
 Power connector SIEMENS
 shielded
 without brake wires
 Power cable for SINAMICS S120 and Motors with M23 connection
 without cable sleeves
 Further cable lengths on request.

[Link to Product](#)

Illustration



Product may differ from Image

Form

Form PS415

General data

Pollution Degree	3
Temperature range	-25...+85 °C, depending on cable quality
Material (gasket)	FKM

Cables

Cable number	869
No./diameter of wires	(4G2.5+C)
Wire isolation	PP (bk num, gnye)
C-track properties	0.1 Mio.
Torsion stress	±30 °/m
Jacket Color	orange
Material (jacket)	PVC (UL/CSA) (=MC500)
Specification	6FX5008-1BB21
Outer Ø	9.6 mm ±5%
Bend radius (fixed)	5 × outer Ø

Bend radius (moving)	18× outer Ø
Temperature range (fixed)	-25...+80 °C
Temperature range (mobile)	-5...+60 °C
Shield	yes
Approval (cable)	UL (AWM-Style 2570/10492), CSA
Diameter (core)	4× 2.5 mm ²

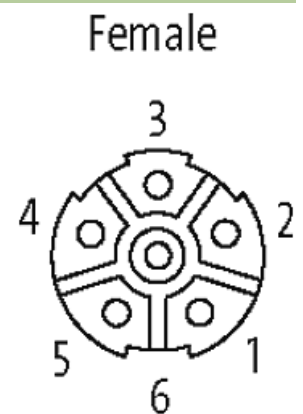
Technical Data

Operating voltage	max. 630 V AC/DC
Rated surge voltage	6.0 kV
Operating current per contact	Power cores: 12 A (1.5 mm ²), 15 A (2.5 mm ²)
Material group	IEC 60664-1, category I
Locking of ports	Screw thread (M23×1 mm) recommended torque 2.0 Nm, self-securing
Compression gland	M23 (SW27)
Protection	IP65 and IP67 when plugged and screwed down (EN 60529)
Locking material	Brass, nickel plated
Material	PUR
suitable for corrugated tube (internal Ø)	16 mm; 23 mm

Commercial data

country of origin	DE
customs tariff number	85444290
EAN	4048879656382
eClass	27279218
Packaging unit	1

Sketch



Product may differ from Image